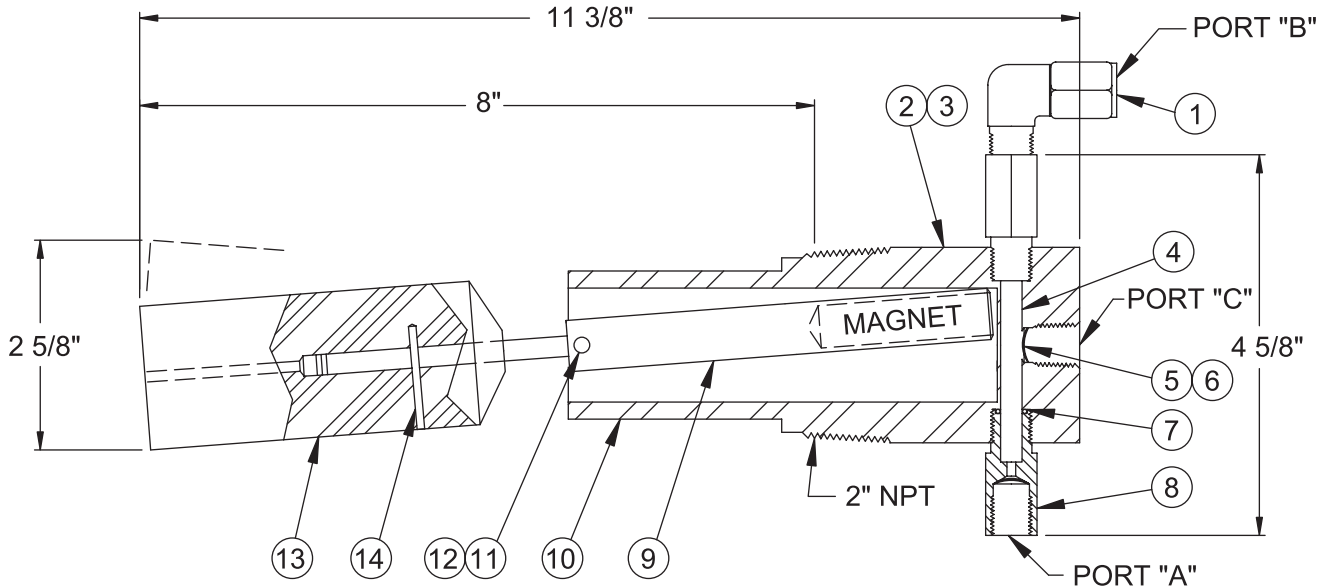


# INSTRUCTION MANUAL

## LEVEL CONTROL SWITCHES

Figure 7, LINC 282-79 Level Switch



### The LINC 282-79 Pneumatic Series Parts List.

Item	Part #	Description	Material	Qty
1	.23339	.Vent Assembly	.Brass	.1
2	.10998	.Nameplate	.316 ss	.1
3	.10324	.Drive Screw	.18-8 ss	.2
4	.See Chart Below	.Switch Cartridge		
5	.11006	.Filter	.18-8 ss	.3
6	.10403	.Retaining Screen	.18-8 ss	.3
7	.10108	.O-Ring	.Fluorocarbon	.2
8	.22451	.Port Adapter	.303 ss	.2
9	.31074	.Float/Magnet Arm	.316 ss	.1
10	.31072	.Body	.316 ss	.1
11	.23537	.Pin	.316 ss	.1
12	.22066	.Spacer	.316 ss	.2
13	.23512	.Float/Displacer	.Polypropylene	.1
14	.11571	.Pin	.15-7 PH ss	.1

### Pneumatic Switch Cartridge

Part #	Model Option	Description
22935	..-1	..0-30 PSI Switch
22936	..-2	..0-60 PSI Switch
22899	..-3	..0-100 PSI Switch

All 282 Ports are 1/4" NPT Female

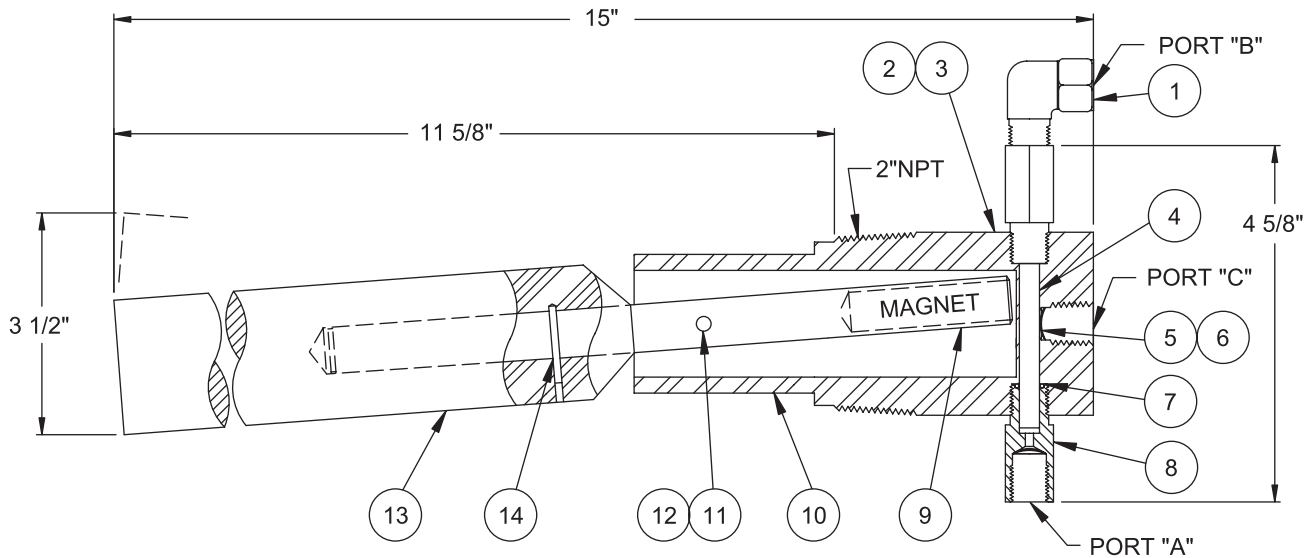
For Direct Acting Operation:  
 Connect Supply to Port "A"  
 Connect Output to Port "C"  
 Port "B" is Vent

For Indirect Acting Operation:  
 Connect Supply to Port "B"  
 Connect Output to Port "C"  
 Port "A" is Vent

# INSTRUCTION MANUAL

## LEVEL CONTROL SWITCHES

Figure 6, LINC 282-73 Level Switch



### The LINC 282-73 Pneumatic Series Parts List.

Item	Part #	Description	Material	Qty
1	.23339	Vent Assembly	.Brass	.1
2	.10998	.Nameplate	.316 ss	.1
3	.10324	.Drive Screw	.18-8 ss	.2
4	.See Chart Below	.Switch Cartridge		
5	.11006	.Filter	.18-8 ss	.3
6	.10403	.Retaining Screen	.18-8 ss	.3
7	.10108	.O-Ring	.Fluorocarbon	.2
8	.22451	.Port Adapter	.303 ss	.2
9	.31113	.Float/Magnet Arm	.316 ss	.1
10	.31072	.Body	.316 ss	.1
11	.23537	.Pin	.316 ss	.1
12	.22066	.Spacer	.316 ss	.2
13	.23512	.Float/Displacer	.Polypropylene	.1
14	.11571	.Pin	.15-7 PH ss	.1

### Pneumatic Switch Cartridge

Part #	Model Option	Description
22935	..-1	..0-30 PSI Switch
22936	..-2	..0-60 PSI Switch
22899	..-3	..0-100 PSI Switch

All 282 Ports are 1/4" NPT Female

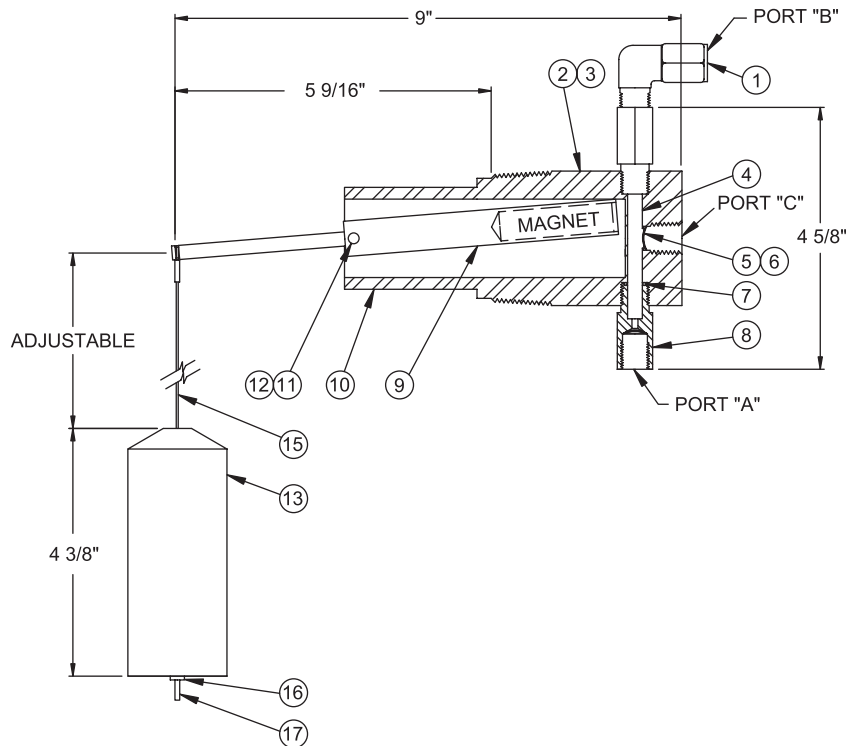
For Direct Acting Operation:  
 Connect Supply to Port "A"  
 Connect Output to Port "C"  
 Port "B" is Vent

For Indirect Acting Operation:  
 Connect Supply to Port "B"  
 Connect Output to Port "C"  
 Port "A" is Vent

# INSTRUCTION MANUAL

## LEVEL CONTROL SWITCHES

Figure 5, LINC 282-39 Level Switch



### The LINC 282-39 Pneumatic Series Parts List.

Item	Part #	Description	Material	Qty
1	.23339	.Vent Assembly	.Brass	.1
2	.10998	.Nameplate	.316 ss	.1
3	.10324	.Drive Screw	.18-8 ss	.2
4	.See Chart Below	.Switch Cartridge		
5	.11006	.Filter	.18-8 ss	.3
6	.10403	.Retaining Screen	.18-8 ss	.3
7	.10108	.O-Ring	.Fluorocarbon	.2
8	.22451	.Port Adapter	.303 ss	.2
9	.31074	.Float/Magnet Arm	.316 ss	.1
10	.31072	.Body	.316 ss	.1
11	.23537	.Pin	.316 ss	.1
12	.22066	.Spacer	.316 ss	.2
13	.23503	.Float/Displacer	.Polypropylene	.1
14	.11571	.Pin	.15-7 PH ss	.1
15	.11566	.Wire	.18-8 ss	.24"
16	.23500	.Stop Ring	.316 ss	.2
17	.11565	.Crimp	.18-8 ss	.3

### Pneumatic Switch Cartridge

Part #	Model Option	Description
22935	..-1	..0-30 PSI Switch
22936	..-2	..0-60 PSI Switch
22899	..-3	..0-100 PSI Switch

All 282 Ports are 1/4" NPT Female

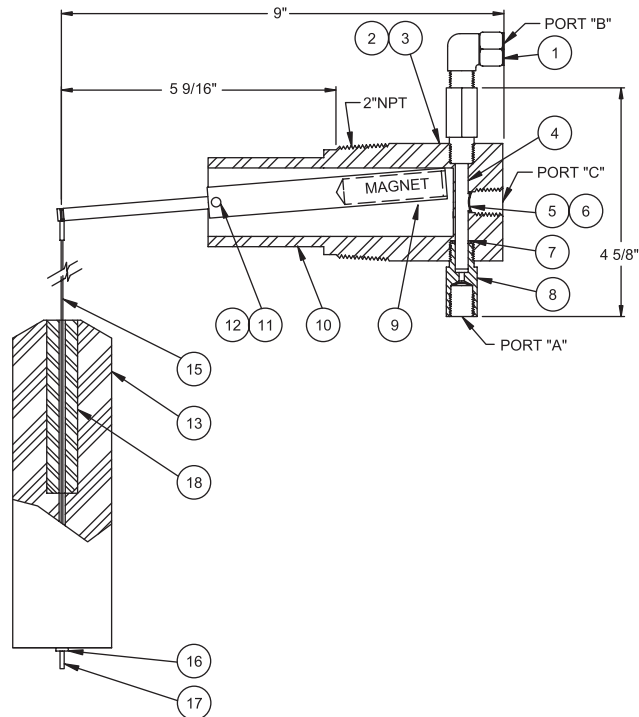
For Direct Acting Operation:  
 Connect Supply to Port "A"  
 Connect Output to Port "C"  
 Port "B" is Vent

For Indirect Acting Operation:  
 Connect Supply to Port "B"  
 Connect Output to Port "C"  
 Port "A" is Vent

# INSTRUCTION MANUAL

## LEVEL CONTROL SWITCHES

Figure 4, LINC 282-33 Level Switch



### The LINC 282-33 Pneumatic Series Parts List.

Item	Part #	Description	Material	Qty
1	.23339	Vent Assembly	.Brass	1
2	.10998	Nameplate	.316 ss	1
3	.10324	Drive Screw	.18-8 ss	2
4	See Chart Below	Switch Cartridge		
5	.11006	Filter	.18-8 ss	3
6	.10403	Retaining Screen	.18-8 ss	3
7	.10108	O-Ring	.Fluorocarbon	2
8	.22451	Port Adapter	.303 ss	2
9	.31074	Float/Magnet Arm	.316 ss	1
10	.31072	Body	.316 ss	1
11	.23537	Pin	.316 ss	1
12	.22066	Spacer	.316 ss	2
13	.24182	Float/Displacer	.Polypropylene	1
14	.11571	Pin	.15-7 PH ss	1
15	.11566	Wire	.18-8 ss	24"
16	.23500	Stop Ring	.316 ss	2
17	.11565	Crimp	.18-8 ss	3
18	.24181	Weight	.316 ss	1

### Pneumatic Switch Cartridge

Part #	Model Option	Description
22935	..-1	..0-30 PSI Switch
22936	..-2	..0-60 PSI Switch
22899	..-3	..0-100 PSI Switch

All 282 Ports are 1/4" NPT Female

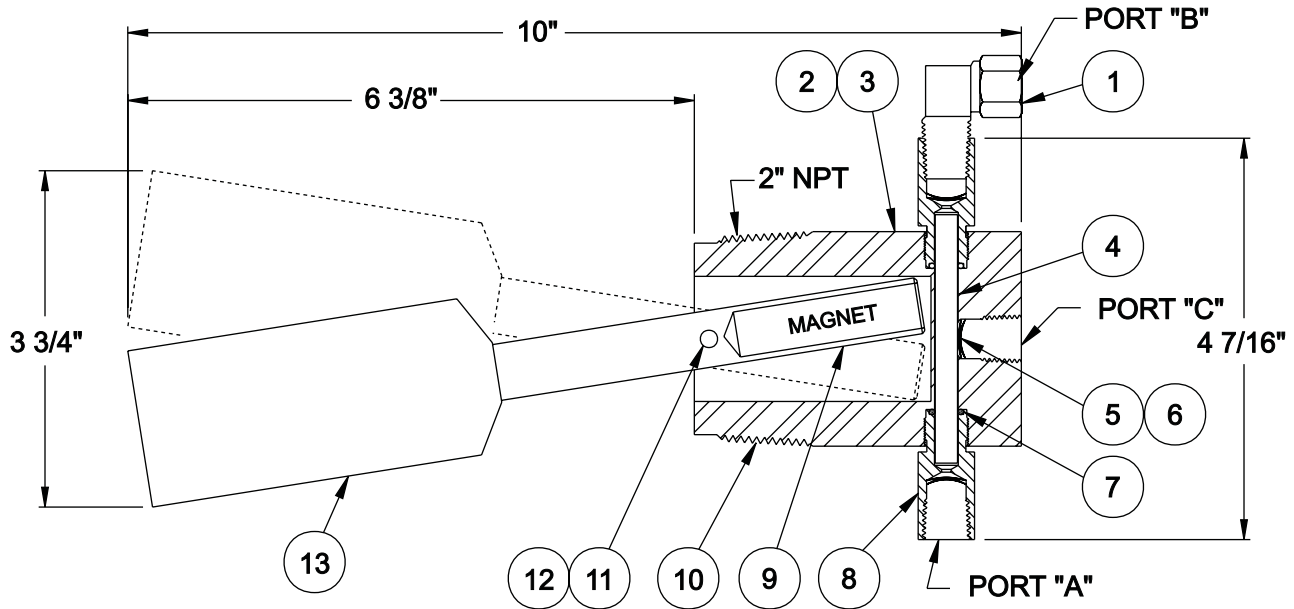
For Direct Acting Operation:  
 Connect Supply to Port "A"  
 Connect Output to Port "C"  
 Port "B" is Vent

For Indirect Acting Operation:  
 Connect Supply to Port "B"  
 Connect Output to Port "C"  
 Port "A" is Vent

# INSTRUCTION MANUAL

## LEVEL CONTROL SWITCHES

Figure 3, LINC 282-13 Level Switch



### The LINC 282-13 Pneumatic Series Parts List.

Item	Part #	Description	Material	Qty
1	.23339	.Vent Assembly	.Brass	.1
2	.10998	.Nameplate	.316 ss	.1
3	.10324	.Drive Screw	.18-8 ss	.2
4	.See Chart Below	.Switch Cartridge		
5	.11006	.Filter	.18-8 ss	.3
6	.10403	.Retaining Screen	.18-8 ss	.3
7	.10108	.O-Ring	.Fluorocarbon	.2
8	.22451	.Port Adapter	.303 ss	.2
9	.22166	.Float/Magnet Arm	.316 ss	.1
10	.30816	.Body	.316 ss	.1
11	.20334	.Pin	.316 ss	.1
12	.22066	.Spacer	.316 ss	.2
13	.20898	.Float/Displacer	.Polypropylene	.1

### Pneumatic Switch Cartridge

Part #	Model Option	Description
22935	..-1	..0-30 PSI Switch
22936	..-2	..0-60 PSI Switch
22899	..-3	..0-100 PSI Switch

All 282 Ports are 1/4" NPT Female

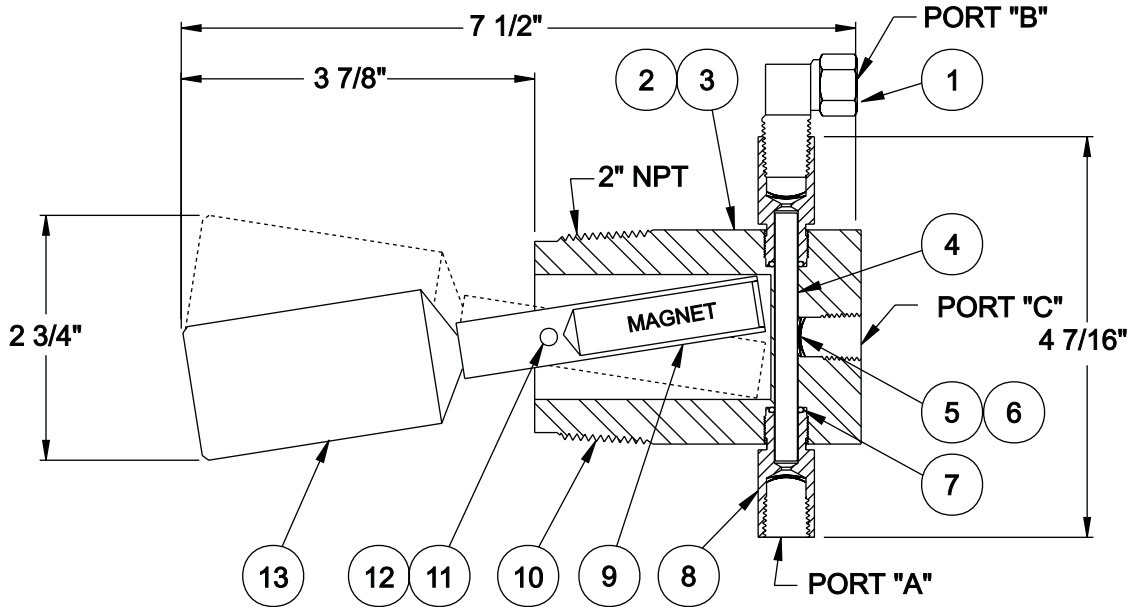
For Direct Acting Operation:  
 Connect Supply to Port "A"  
 Connect Output to Port "C"  
 Port "B" is Vent

For Indirect Acting Operation:  
 Connect Supply to Port "B"  
 Connect Output to Port "C"  
 Port "A" is Vent

# INSTRUCTION MANUAL

## LEVEL CONTROL SWITCHES

Figure 2, LINC 282-12 Level Switch



### The LINC 282-12 Pneumatic Series Parts List.

Item	Part #	Description	Material	Qty
1	.23339	.Vent Assembly	.Brass	.1
2	.10998	.Nameplate	.316 ss	.1
3	.10324	.Drive Screw	.18-8 ss	.2
4	.See Chart Below	.Switch Cartridge		
5	.11006	.Filter	.18-8 ss	.3
6	.10403	.Retaining Screen	.18-8 ss	.3
7	.10108	.O-Ring	.Fluorocarbon	.2
8	.22451	.Port Adapter	.303 ss	.2
9	.22068	.Float/Magnet Arm	.316 ss	.1
10	.30816	.Body	.316 ss	.1
11	.20334	.Pin	.316 ss	.1
12	.22066	.Spacer	.316 ss	.2
13	.20892	.Float/Displacer	.Polypropylene	.1

### Pneumatic Switch Cartridge

Part #	Model Option	Description
22935	..-1	..0-30 PSI Switch
22936	..-2	..0-60 PSI Switch
22899	..-3	..0-100 PSI Switch

All 282 Ports are 1/4" NPT Female

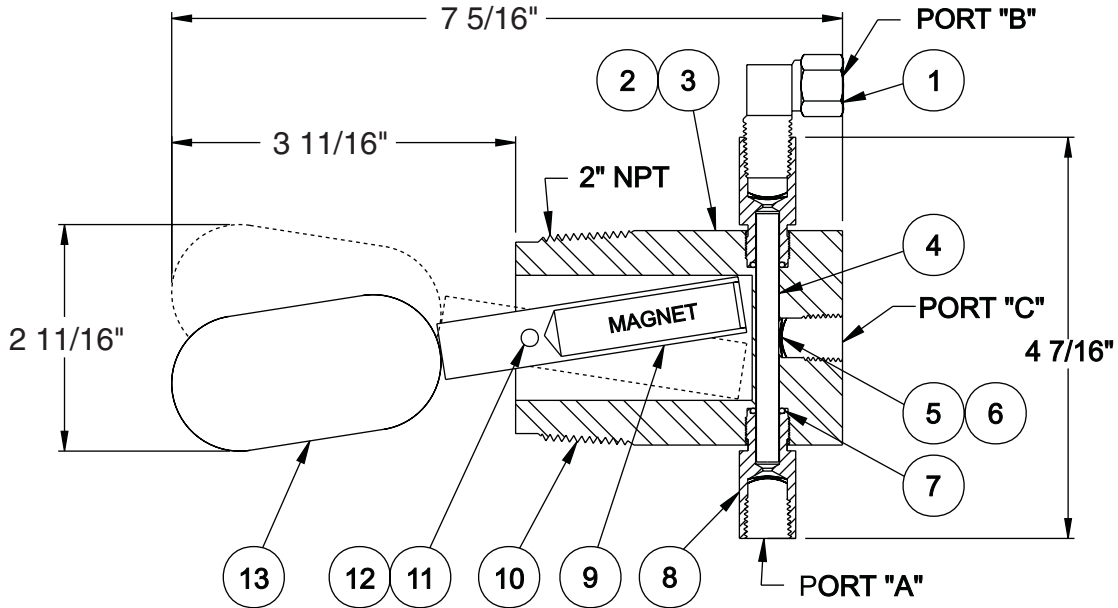
For Direct Acting Operation:  
 Connect Supply to Port "A"  
 Connect Output to Port "C"  
 Port "B" is Vent

For Indirect Acting Operation:  
 Connect Supply to Port "B"  
 Connect Output to Port "C"  
 Port "A" is Vent

# INSTRUCTION MANUAL

## LEVEL CONTROL SWITCHES

Figure 1, LINC 282-11 Level Switch



### The LINC 282-11 Pneumatic Series Parts List.

Item	Part #	Description	Material	Qty
1	.23339	.Vent Assembly	.Brass	.1
2	.10998	.Nameplate	.316 ss	.1
3	.10324	.Drive Screw	.18-8 ss	.2
4	.See Chart Below	.Switch Cartridge		
5	.11006	.Filter	.18-8 ss	.3
6	.10403	.Retaining Screen	.18-8 ss	.3
7	.10108	.O-Ring	.Fluorocarbon	.2
8	.22451	.Port Adapter	.303 ss	.2
9	.22068	.Float/Magnet Arm	.316 ss	.1
10	.30816	.Body	.316 ss	.1
11	.20334	.Pin	.316 ss	.1
12	.22066	.Spacer	.316 ss	.2
13	.13217	.Float/Displacer	.316 ss	.1

### Pneumatic Switch Cartridge

Part #	Model Option	Description
22935	..-1	..0-30 PSI Switch
22936	..-2	..0-60 PSI Switch
22899	..-3	..0-100 PSI Switch

All 282 Ports are 1/4" NPT Female

For Direct Acting Operation:  
 Connect Supply to Port "A"  
 Connect Output to Port "C"  
 Port "B" is Vent

For Indirect Acting Operation:  
 Connect Supply to Port "B"  
 Connect Output to Port "C"  
 Port "A" is Vent