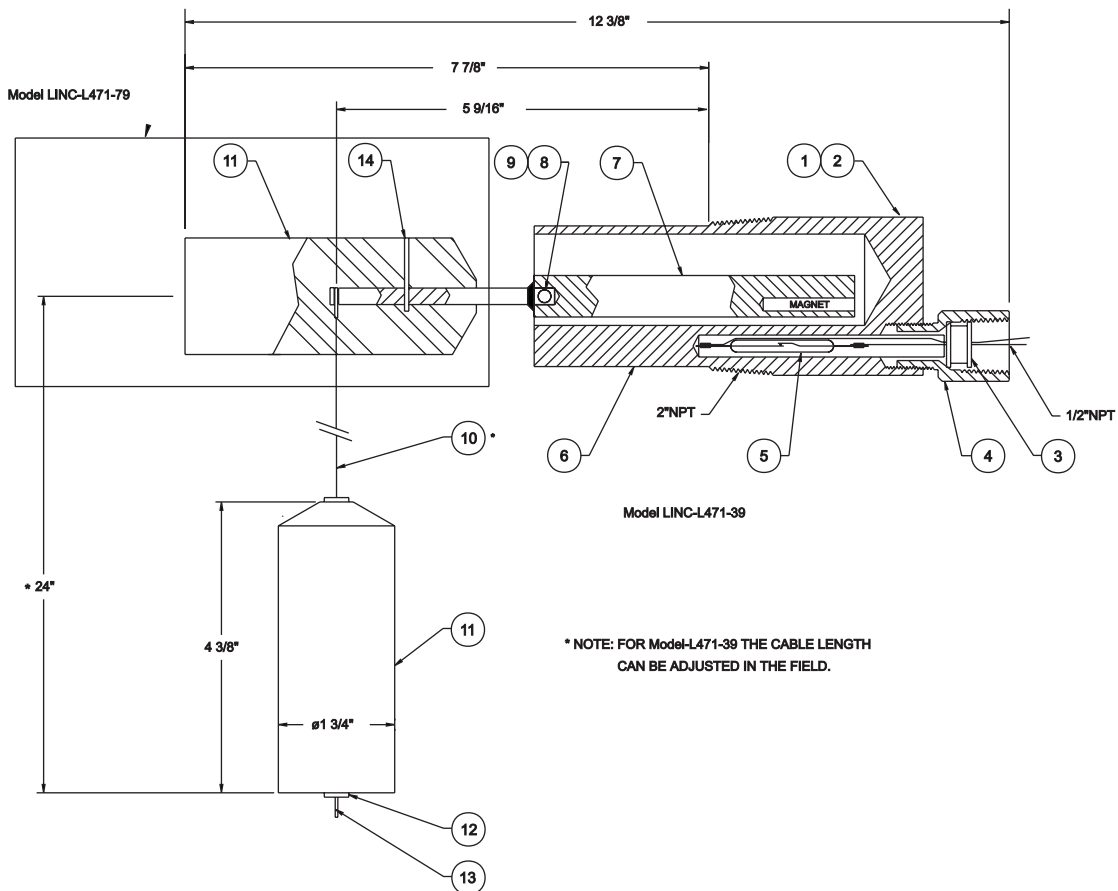


INSTRUCTION MANUAL

L I N C - L 4 7 1 - 3 9 & 7 9

Figure 4, LINC L471-39 & 79 Level Switch



The LINC 471-39 & 79 Series Parts List.

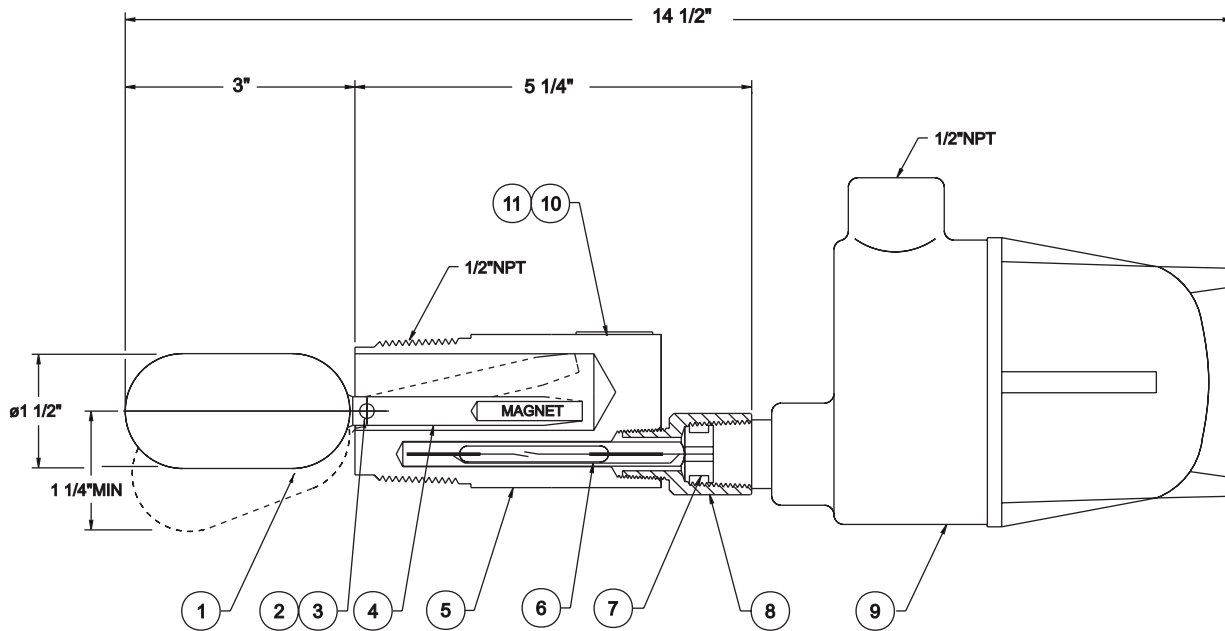
Model	L471-39	L471-79	Description	Material	Qty
1	10012	10012	Name Plate	.316 ss	.1
2	10324	10324	Drive Screw	.18-8 ss	.2
3	10087	10087	Grommet	Nitrile	.1
4	20119	20119	Conduit Adapter	.303 ss	.1
5**	20495	20495	Switch Cartridge	Sealed	.1
6	31079	31079	Body	.316 ss	.1
7	23540	23540	Float/Magnet Arm	.316 ss	.1
8	20334	20334	Pin	.316 ss	.1
9	23604	23604	Spacer	.316 ss	.2
10	11566		Wire Cable	.304 ss	.24"
11	23503	23503	Displacer	Polypropylene	.1
12	23500		Stop Ring	.316 ss	.1
13	11565		Crimp	.18-8 ss	.3
14		11571	Pin	.316 ss	.1
15	24834	24834	Switch Cartridge SPST 500° F (Optional)	Sealed	.1
16	24835	24835	Switch Cartridge SPST 500° F (Optional)	Sealed	.1
17	24836	24836	Switch Cartridge SPST 400° F (Optional)	Sealed	.1

**Recommended spare

INSTRUCTION MANUAL

L I N C - L 4 7 1 - 0 1 - 0 4

Figure 3, LINC L471-01-04 Level Switch



Model LINC L471-01-04

The LINC 471-01-04 Series Parts List.

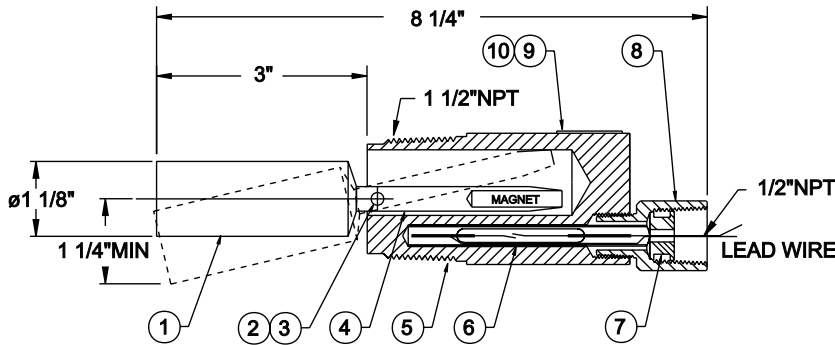
Model	L471-01-04			
Item	Part #	Description	Material	Qty
1	.10245	.Float	.316 ss	.1
2	.20120	.Pin	.316 ss	.1
3	.20121	.Spacer	.316 ss	.2
4	.20853	.Float Arm Assembly	.316 ss	.1
5	.30313	.Body	.316 ss	.1
6*	.20495	.Switch Cartridge	.Sealed	.1
7	.10087	.Grommet	.Nitrile	.1
8	.20119	.Conduit Adapter	.303 ss	.1
9	.21593	.Relay Assembly (110 VAC see relays)		.1
10	.10419	.Name Plate	.316 ss	.1
11	.10324	.Drive Screw (not shown)	.18-8 ss	.2
12	.24834	.Switch Cartridge SPST 500° F (Optional)	.Sealed	.1
13	.24835	.Switch Cartridge SPST 500° F (Optional)	.Sealed	.1
14	.24836	.Switch Cartridge SPST 400° F (Optional)	.Sealed	.1

*Recommended spare

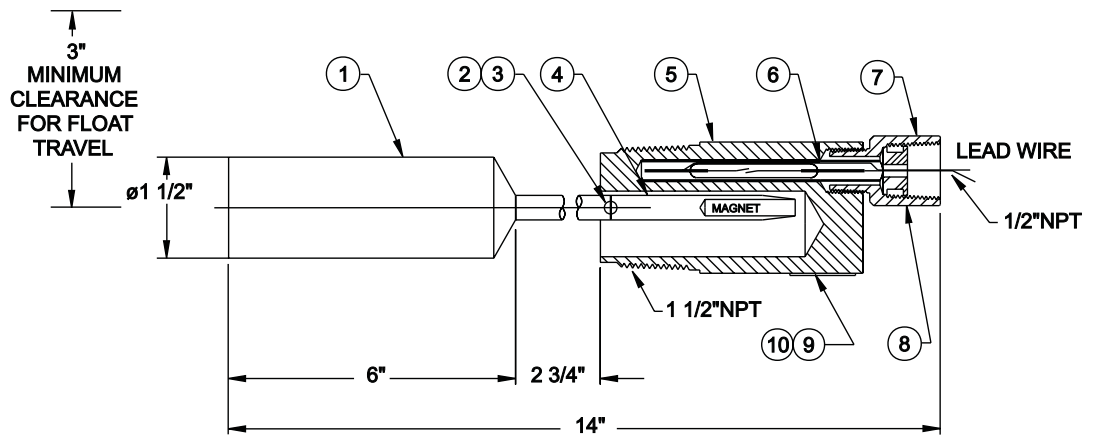
INSTRUCTION MANUAL

LINC - L471 - 02 & LINC - L471 - 03

Figure 2, LINC L471-02 & 03 Level Switch



Model LINC-L471-02



Model LINC-L471-03

The LINC 471-01 & 471-21 Series Parts List.

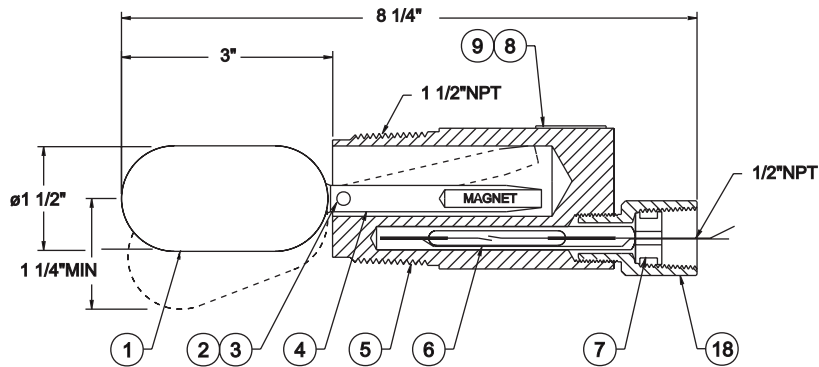
Model	L471-02	L471-03	Description	Material	Qty
1	.20149	.20136	Float	Polypropylene	.1
2	.20120	.20120	Pin	.316 ss	.1
3	.20121	.20121	Spacer	.316 ss	.2
4	.20853	.21671	Float Arm Assembly	.316 ss	.1
5	.30313	.30313	Body	.316 ss	.1
6*	.20495	.20495	Switch Cartridge	Sealed	.1
7	.10087	.10087	Grommet	Nitrile	.1
8	.20119	.20119	Conduit Adapter	.303 ss	.1
9	.10012	.10012	Name Plate	.316 ss	.1
10	.10324	.10324	Drive Screw (not shown)	.18-8 ss	.2
11	.24834	.24834	Switch Cartridge SPST 500° F (Optional)	Sealed	.1
12	.24835	.24835	Switch Cartridge SPST 500° F (Optional)	Sealed	.1
13	.24836	.24836	Switch Cartridge SPST 400° F (Optional)	Sealed	.1

*Recommended spare

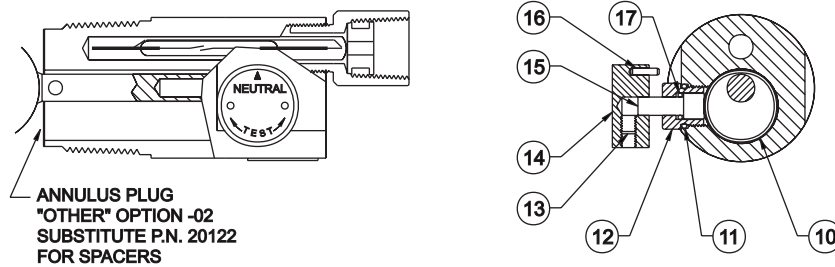
INSTRUCTION MANUAL

L I N C - L 4 7 1 - 0 1

Figure 1, LINC L471-01 Level Switch



Model LINC-L471-01



ANNULUS PLUG
"OTHER" OPTION -02
SUBSTITUTE P.N. 20122
FOR SPACERS

MANUAL OVERRIDE, STANDARD BODY
Body Style -2, -4

The LINC 471-01 & 471-21 Series Parts List.

Model	L471-01	L471-21	Description	Material	Qty
1	10245	10245	Float	316 ss	1
2	20120	20120	Pin	316 ss	1
3	20121	20121	Spacer	316 ss	2
4	20853	24883	Float Arm Assembly	316 ss	1
5	30313	30715	Body	316 ss	1
6*	20495	20495	Switch Cartridge	304 ss	1
7	10087	10087	Grommet	Nitrile	1
8	10012	10012	Name Plate	316 ss	1
9	10324	10324	Drive Screw (not shown)	18-8 ss	4
10		24885	Ring Weldment	316 ss	1
11		10996	O-Ring	Fluorocarbon	1
12		22271	Packing Gland	316 ss	1
13		10621	Set Screw	18-8 ss	1
14		22577	Knob	303 ss	1
15		24875	Stem	316 ss	1
16		11192	Roll Pin	18-8 ss	3
17		10108	O-Ring	Fluorocarbon	1
18	20119	20119	Conduit Adapter	303 ss	1
19		11193	Name Plate (not shown)	Sealed	1
20	24834	24834	Switch Cartridge SPST 500° F (Optional)	Sealed	1
21	24835	24835	Switch Cartridge SPDT 500° F (Optional)	Sealed	1
22	24836	24836	Switch Cartridge SPDT 400° F (Optional)	Sealed	1

*Recommended spare