



**ISO 9001  
REGISTERED**

# PRESSURE TRANSDUCER PT3100

**Accuracy:  $\pm 0.5\%$  FS**  
**Protection class: IP65**  
**Range: 0/6 bar to 0/200 bar available**  
**EMC Protection**

PT3100 is suitable for the media of fluid and gas. Several measure ranges are available for a variety of automotive, industrial and commercial applications.

## Technical Data

**Accuracy:**  $\pm 0.5\%$  of full scale  
**Range:** refer to the Measure Range Table  
**Power supply:** 8 to 30 volts DC  
**Output signal:** 4-20 mA, 2 wires  
**EMC compatibility:** 80MHz – 1GHz  
**Operating temperature:** -40 to 105°C  
**Electrical connection:** M12 & Mini DIN Connectors, plastic  
**Material of wetted parts:** 316SS  
**Process connections:** 1/4" NPT Male

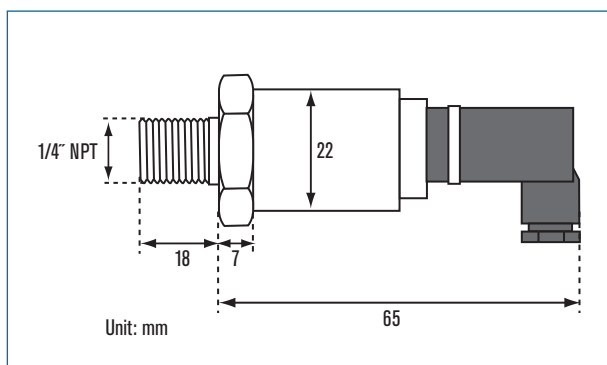
## Measure Range Table

0/6 bar	0/10 bar	0/16 bar	0/25 bar
0/40 bar	0/60 bar	0/100 bar	0/160 bar

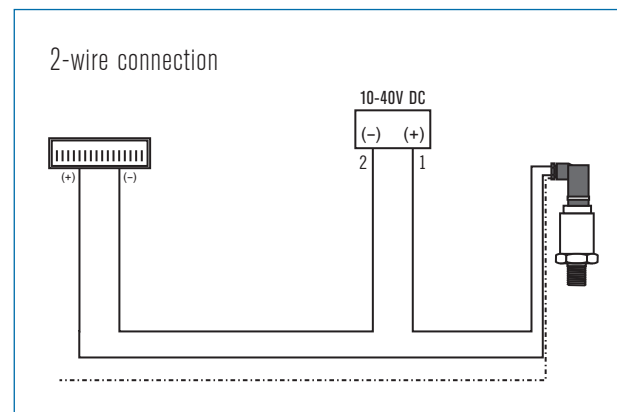
### Over range protection:

1. Proof pressure range are 3 times of full scale.
2. Burst pressure range are 10 times of full scale.

## Dimensions



## Connection



## DIGITAL PRESSURE METER PT3100 Ordering Information

PT3100	Code	Pressure Range	Code	Pressure Range
↓	6	0/6 bar	40	0/40 bar
	10	0/10 bar	60	0/60 bar
	16	0/16 bar	100	0/100 bar
	25	0/25 bar	160	0/160 bar
			<b>Code</b>	<b>Connection port</b>
			U	1/4"NPT
			S	Customized
↓	↓	↓		
<b>PT3100</b>			<b>Complete Ordering Code</b>	

## Golden Mountain Enterprise Co., Ltd.

No. 3 Lane 296 Hsin-Ya Rd. Chien Chen Dist. Kaohsiung 806, Taiwan ROC  
 TEL: 886-7-8135500 FAX: 886-7-8225588

Email: info@new-flow.com

http://www.new-flow.com

PT3100-1

80812006