

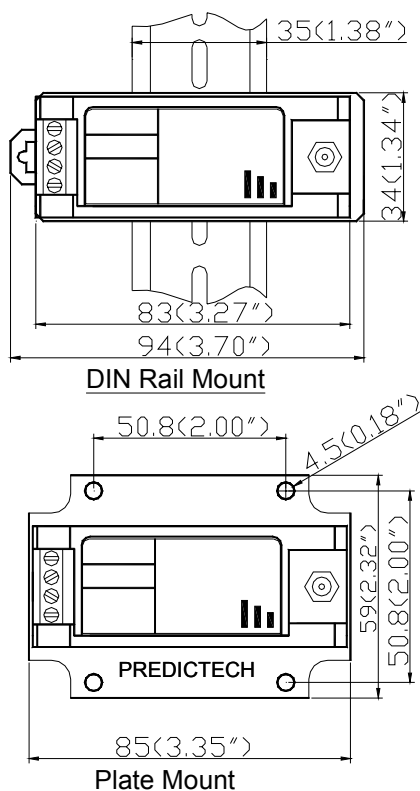


## TR4101 Proximity Loop Powered Transmitter for Radial Shaft Vibration

The TR4101 is a cost-effective solution for monitoring the radial vibration on the shaft of balance of plant machines. The TR4101 combines the proximity probe driver and the signal conditioning circuit into one package. It works with a proximity probe and extension cable as a system.

### Features

- ✓ Loop powered transmitter
- ✓ Does not require proximity probe driver
- ✓ Buffered output/ GAP
- ✓ Compatible with other manufacturers' proximity probes (5mm, 8mm and 11mm)
- ✓ Aluminum casted case (copper free) with epoxy potting for better environmental protection and reliability
- ✓ Same size as a proximity probe driver



### Specifications

#### Electrical

Power Supply:

16-30VDC

Frequency Response ( $\pm 3$ dB):

2.0 - 3,000Hz

Probe and Cable:

5 meter or 9 meter proximity probe and extension cable works with 5mm, 8mm, and 11mm probes

Proximity probe includes: TM0180, TM0105, TM0110, 3300, 7200 and 990 series

Sensor Linear Range (reference with AISI 4140 steel):

5mm, 8mm probe: 2.0 mm (80mil)

Approximately 0.25mm (10mil) to 2.25mm (90mil)

11mm probe: 4.0mm (160mil)

Approximately 0.4mm (15mil) to 4.4mm (175mil)

Overall Vibration:

4-20mA

2-wire, load

Buffered Output/ GAP:

Original vibration, un-filtered

Nominal: 2-18VDC

Impedance: 10 k  $\Omega$

Maximum cable distance: 3.0m (10ft)

Sensitivity: 8.0mV/ $\mu$ m (200mV/mil) nominal



## Electrical Specifications Continued

Maximum Load:

50 × (Vs-16)

(Where Vs is the system power supply)

Isolation:

> 500Vrms; circuit to case

System OK:

System OK: output 4-20mA

System Not OK: output < 3.6mA

## Physical

Height: 75mm (2.95")

Weight: 0.5 kg (1.0 lb)

## Environmental

Temperature:

Operation: -40°C to +70°C

Storage: -40°C to +100°C

Humidity:

90% non-condensing

## Order Information

\* Factory Default

Standard Configuration:

**TR4101-A00-E00-G00-S00**

8mm Probe:

**TM0180-07-00-05-10**

Extension Cable:

**TM0181-040-00**

## TR4101-AXX-EXX-GXX-SXX

### AXX: Full Scale

A00\*: 0 - 200um (8.0mil) pk-pk

A01: 0 - 500um (20mil) pk-pk

A02: 0 - 100um (4.0mil) pk-pk

A03: 0 - 250um (10mil) pk-pk

A04: 0 - 630um (25mil) pk-pk

A05: 0 - 125um (5.0mil) pk-pk

## TR4101-AXX-EXX-GXX-SXX

### EXX: Probe and Cable (not included)

E00\*: TM0180, 8mm Probe, 5m Cable

E01: TM0180, 8mm Probe, 9m Cable

E02: 3300, 8mm Probe, 5m Cable

E03: 3300, 8mm Probe, 9m Cable

E04: 7200, 8mm Probe, 5m Cable

E05: 7200, 8mm Probe, 9m Cable

E06: TM0105, 5mm Probe, 5m Cable

E07: TM0105, 5mm Probe, 9m Cable

E08: TM0110, 11mm Probe, 5m Cable

E09: TM0110, 11mm Probe, 9m Cable

E10: 3300, 11mm Probe, 5m Cable

E11: 3300, 11mm Probe, 9m Cable

E12: 7200, 11mm Probe, 5m Cable

E13: 7200, 11mm Probe, 9m Cable

E14: 3309 Probe, 5m Cable

E15: 3309 Probe, 7m Cable

### GXX: Mount

G00\*: DIN rail mount

G01: Plate mount

### SXX: Hazardous Area

S00\*: Without approval. CE

S01: Multiple approvals

ATEX: II1G, EEx iaIICT4

CSA: Non-incendive, Class I, Div. 2,

Groups A, B, C, D & T4

CSA: Intrinsically safe, Class I, Div. I,

Groups A, B, C & D, T4

PCEC: Ex iaIICT4

CE

## TR4101 Accessories

The TR4101 requires a proximity probe and extension cable to work as a system.

**TM0180:** 8mm probe

**TM0105:** 5mm probe

**TM0110:** 11mm probe

**TM0181:** Extension cable

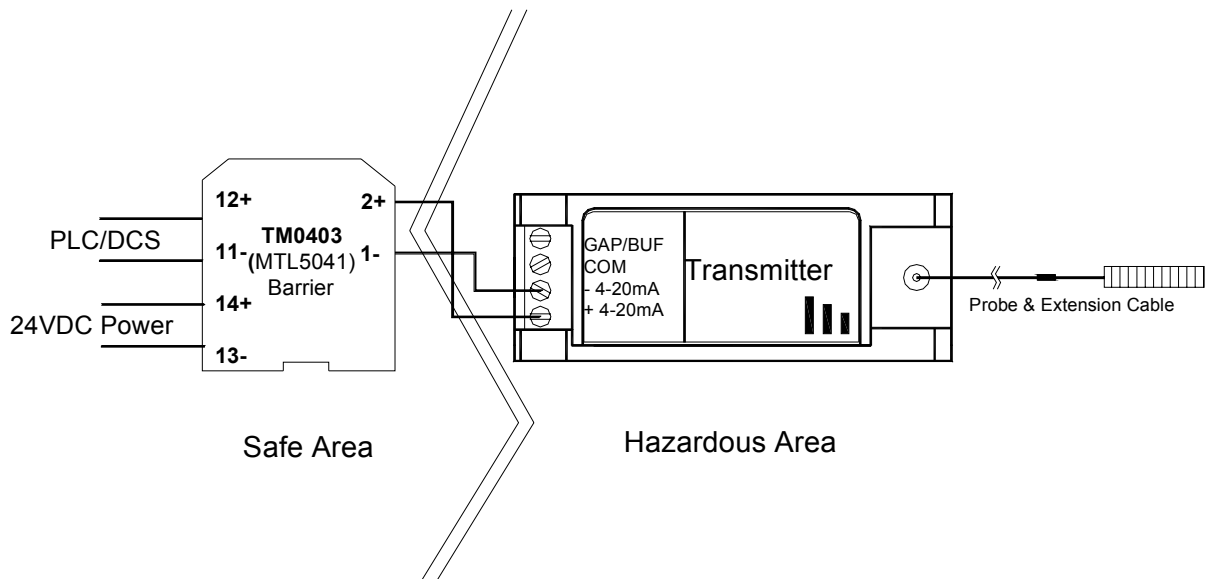
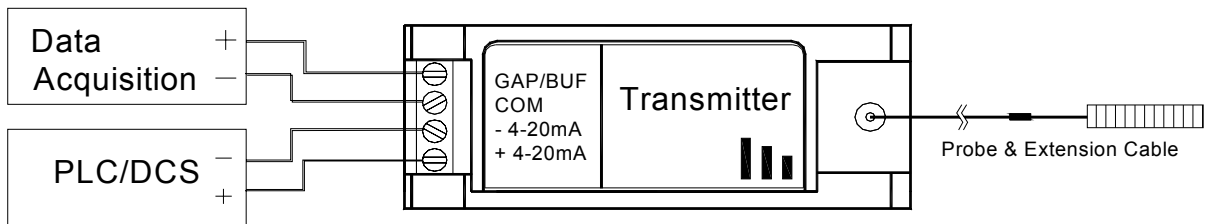
**TM0200:** 3-1/2 digit display unit

**BNC-2:** BNC adaptor for portable data collector





**Field-Wiring Diagram**



Note:

Other Barriers:

TM0404: (MTL 5042)

TM0406: (STAHL 9303/11-22-11)

TM0407: (STAHL 9160/13-11-11)