



Models 7G & 7H

GO Switch Models 7G & 7H offer unique options such as hermetically sealed and Double Pole Double Throw contact arrangements in a variety of enclosures.

Features:

- SPDT or DPDT 4A contacts
- Intrinsically Safe
- 40° to 221°F operating temperature

Options:

- Suitable for Zone 0, 1, or 2 explosion proof
- DPDT 4A contacts
- 40° to 400°F high temperature
- Hermetically sealed contacts

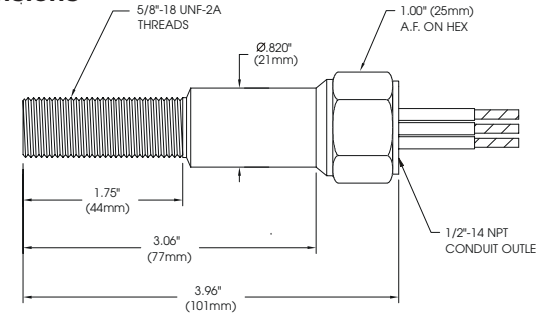
**FAST TRACK DELIVERY**

**7G-23528-A2**  
DPDT General Purpose  
3 ft. leads

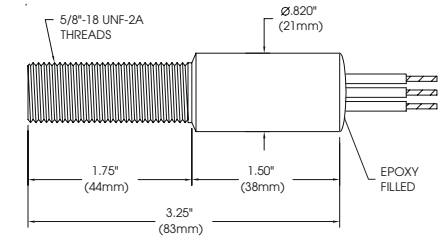
**7G-23526-A2**  
DPDT Class I Div 2  
3 ft. leads

**7G-23523-A2**  
DPDT Class I Div 1  
3 ft. leads

Dimensions



Model 7G



Model 7H

Model	Contact Form	Sensing Range	Outlet Position	Enclosure Material	Approvals	Wiring Options																																																									
<p><b>Repeatability:</b> .002" (.05 mm) typical</p> <p><b>Response Time:</b> 8 milliseconds</p> <p><b>Differential:</b> Approx. .020" (.51 mm)</p> <p><b>Operating Temperature:</b> -40° to 221°F (-40° to 105°C) (Option to 400°F)</p> <p><b>7G</b> Model 7G 5/8" (16 mm) dia. x 4" (101 mm) long with 5/8"-18 UNF x 1 3/4" (44 mm) threads and 1/2" NPT conduit hub</p> <p><b>7GM</b> Model 7G M18 x 1 external metric thread</p> <p><b>7H</b> Model 7H 5/8" (16 mm) dia. x 3 1/4" (83 mm) long with 5/8" - 18 UNF x 1 3/4" threads. No conduit outlet.</p> <p><b>7HM</b> Model 7H M18 x 1 external metric thread</p>	<p><b>Contact Material:</b> Palladium silver with sawtooth surface configuration</p> <p><b>Form:</b> SPDT Form C; DPDT Form CC</p> <p><b>Ratings:</b> Resistive</p> <table border="1"> <thead> <tr> <th colspan="2">AC</th> <th colspan="2">DC</th> <th colspan="2">AC</th> <th colspan="2">DC</th> </tr> <tr> <th>Volts</th> <th>Amps</th> <th>Volts</th> <th>Amps</th> <th>Volts</th> <th>Amps</th> <th>Volts</th> <th>Amps</th> </tr> </thead> <tbody> <tr> <td>120</td> <td>4</td> <td>24</td> <td>3</td> <td>120</td> <td>3</td> <td>24</td> <td>1</td> </tr> <tr> <td>240</td> <td>2</td> <td>48</td> <td>1.25</td> <td>240</td> <td>1.5</td> <td>48</td> <td></td> </tr> <tr> <td></td> <td></td> <td>125</td> <td>0.5</td> <td>480</td> <td></td> <td>120</td> <td>0.5</td> </tr> <tr> <td></td> <td></td> <td>250</td> <td>0.5</td> <td></td> <td></td> <td>250</td> <td>0.1</td> </tr> </tbody> </table> <p>SPDT                      DPDT</p> <p><b>1</b> Single Pole Double Throw (Form C) Hermetically Sealed (Model 7G) (Lead seal not required for hazardous locations)</p> <p><b>2</b> Double Pole Double Throw (Form CC)</p> <p>Form C - SPDT      Form CC - DPDT</p>	AC		DC		AC		DC		Volts	Amps	Volts	Amps	Volts	Amps	Volts	Amps	120	4	24	3	120	3	24	1	240	2	48	1.25	240	1.5	48				125	0.5	480		120	0.5			250	0.5			250	0.1	<p><b>Target Material:</b> Ferrous steel</p> <p><b>Sensing Range:</b> .090" (2.3 mm) end sensing (2,000 PSI)</p> <p><b>Sensing Range with Target Magnet:</b> up to .20" (5 mm)</p> <p><b>3</b> Standard sensing - approx. .090" (2.3 mm) end sensing</p> <p><b>Extended Sensing Range with External Target Magnets</b> (See Accessories for External Target Magnets)</p> <table border="1"> <thead> <tr> <th>Magnet</th> <th>Sensing</th> <th>Differential</th> </tr> </thead> <tbody> <tr> <td>AMP3</td> <td>.15"</td> <td>.30"</td> </tr> <tr> <td>AMS4</td> <td>.20"</td> <td>.30"</td> </tr> </tbody> </table>	Magnet	Sensing	Differential	AMP3	.15"	.30"	AMS4	.20"	.30"	<p><b>Conduit Outlet:</b> 1/2" NPT</p> <p><b>5</b> Bottom of enclosure</p>	<p><b>Stainless Steel type 303</b></p> <p><b>2</b> 303 stainless steel (rated 2,000 PSI)</p> <p><b>6</b> 316 stainless steel (rated 2,000 PSI)</p>	<p><b>UL</b> <b>SF</b> <b>BASEEFA</b></p> <p><b>2</b> High temperature to 400°F (204°C) with Teflon™ insulated leads (Wiring must be F)</p> <p><b>3</b> UL listed explosion proof for CI I, Div 1 &amp; 2; Grps A,B,C,D; CI II, Div 1, Grps E-G; CI III (Model 7G) (Wiring must be A, B, or F)(Lead seal req'd within 18" for DPDT)</p> <p><b>4</b> CSA certified explosion proof for CI I, Div 1; Grps A,B,C,D; CI II, Div 1; Grps E-G; CI III (Model 7G) (Wiring must be A, B, or F)Lead seal req'd within 18" for DPDT)</p> <p><b>6</b> CSA certified CI I, Div 2; Grps A,B,C,D; CI II, Div 2; Grps E-G; CI III (Model 7G) (Wiring must be A, B, or F)(Lead seal req'd within 18" for DPDT)</p> <p><b>7</b> CSA certified General Purpose</p> <p><b>8</b> UL listed General Purpose</p> <p><b>9</b> CENELEC: EExdIIC T6 Zone 1. (Model 7G) (Wiring must be A or B)</p> <p><b>T</b> ATEX Zone 1 EEx d IIC T6 (-20° to +50°C), II 2G (Model 7G) (Contact form 1 only)</p>	<p><b>Lead Wires</b> 20 Gauge (.100" dia) potted-in PVC insulated AWM / TEW stranded lead wires, rated at 221°F (105°C) 300V UL / CSA listed</p> <p><b>A2</b> 36" (914 mm)</p> <p><b>A3</b> 72" (1829 mm)</p> <p><b>A4</b> 144" (3658 mm)</p> <p><b>A_ _</b> Lengths greater than 144" (Specify length in 5' increments (e.g. A150=150 ft. of leads))</p> <p><b>Cable</b> 20 Gauge (.215" dia) potted-in PVC cable, rated at 176°F (80°C) 300V, UL / CSA listed</p> <p><b>B2</b> 36" (914 mm)</p> <p><b>B3</b> 72" (1829 mm)</p> <p><b>B4</b> 144" (3658 mm)</p> <p><b>B_ _</b> Lengths greater than 144" (Specify length in 5' increments (e.g. B150 = 150 ft. of cable))</p> <p><b>Quick Disconnect</b> Male Quick Disconnect only, potted-in connector. (CSA requires a case ground)(Approvals must be 7 or 8)(Model 7G)</p> <p><b>Mini-change®</b> <b>DCH</b> 7-pin mini-change type</p> <p><b>HiTemp Leads</b> 20 gauge (19 strands at .08") potted-in Teflon™ insulated leads rated at 482°F (250°C) 600V UL / CSA listed (Approval must be 2, 3, 4, 6, 7, or 8)</p> <p><b>F2</b> 36" (914 mm)</p> <p><b>F3</b> 72" (1829 mm)</p> <p><b>F4</b> 144" (3658 mm)</p> <p><b>F_ _</b> Lengths greater than 144" (Specify length in 5' increments (e.g. F150 = 150 ft. of leads))</p>
AC		DC		AC		DC																																																									
Volts	Amps	Volts	Amps	Volts	Amps	Volts	Amps																																																								
120	4	24	3	120	3	24	1																																																								
240	2	48	1.25	240	1.5	48																																																									
		125	0.5	480		120	0.5																																																								
		250	0.5			250	0.1																																																								
Magnet	Sensing	Differential																																																													
AMP3	.15"	.30"																																																													
AMS4	.20"	.30"																																																													
Model	Contact Form	Sensing Range	Outlet Position	Enclosure Material	Approvals	Wiring Options																																																									
48		3	5			49																																																									